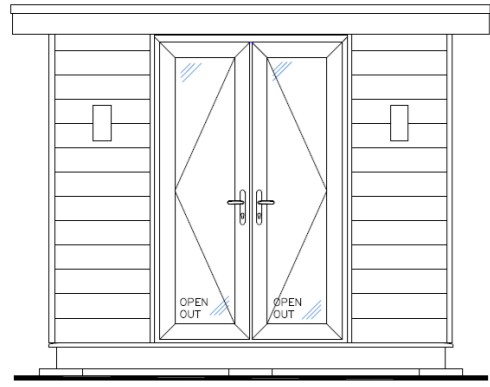
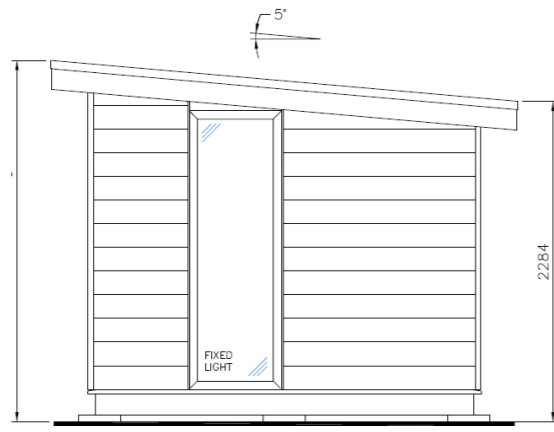


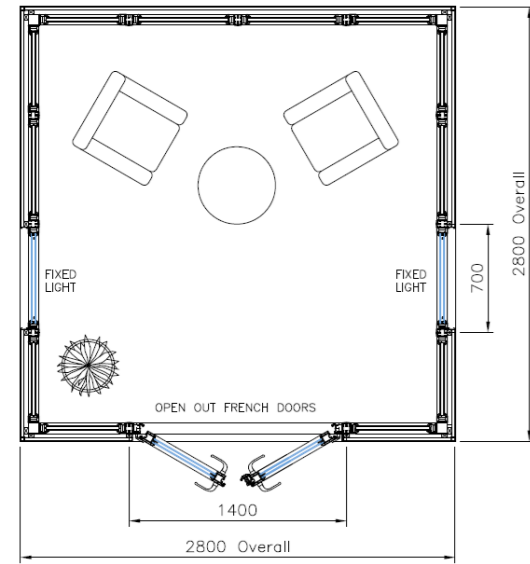
SPECS SPECS SPECS SPECS



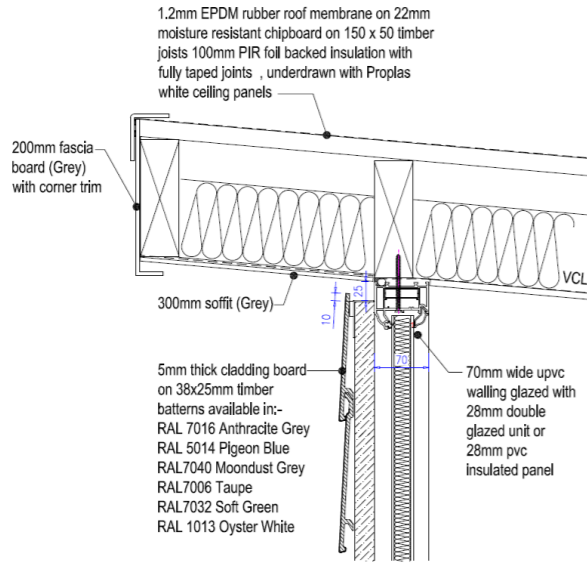
Front Elevation



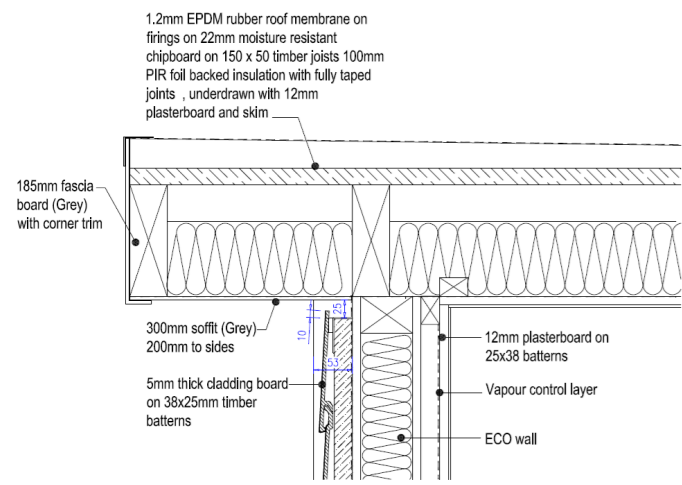
Side Elevation



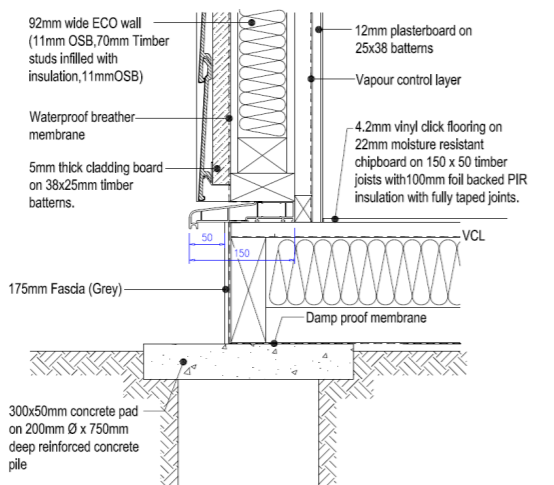
General Arrangement



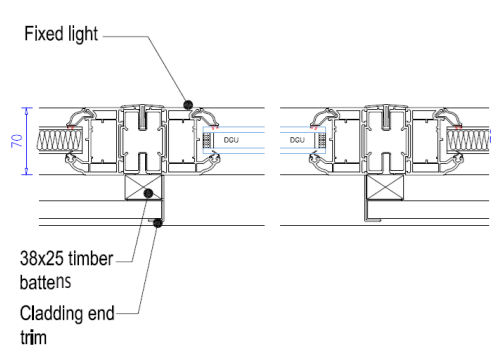
Typical UPVC Detail



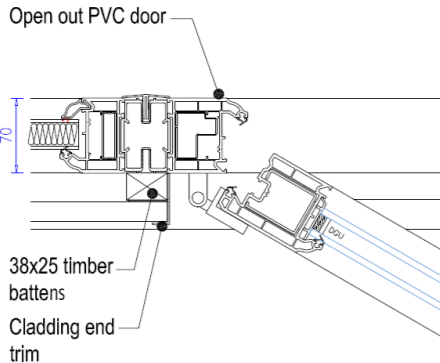
SIPS Panel



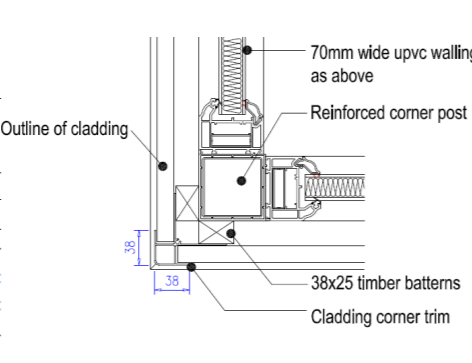
SIPS Panel



Typical Window Detail



Typical Door Detail



Typical Corner Post Detail

SPECS SPECS SPECS SPECS SPECS SPECS SPECS SPECS SPECS SPECS

OUR BRANCHES

East Yorkshire, Head Office
Dairycoates Industrial Estate,
Wiltshire Road
Hull, HU4 6QQ
Tel: 01482 561101

North Yorkshire
1 Salter Road
Eastfield Industrial Estate
Scarborough, YO11 3UZ
Tel: 01723 507152

South Yorkshire
Walkers Nurseries Garden Centre
Mosham Road, Blaxton
Doncaster, DN9 3BA
Tel: 01302 244405

Spalding
40 Commercial Road
Spalding,
PE11 2HA
Tel: 01775 720058

Newark Road
Pennells Garden Centre
South Hykeham
Lincoln, LN6 9NT
Tel: 01522 696105

Langlands Garden Centre
Shiptonthorpe,
York, YO43 3PN
Tel: 01522 696105



3500mm
2800mm
9.8m²



4200mm
3500mm
14.7m²



2800mm
2100mm
5.9m²



2100mm
2100mm
4.4m²

GARDEN ROOM INSPIRATIONS



EYG Garden Rooms

Garden rooms can transform your home, the possibilities are limitless. From a garden office to a summerhouse for entertaining, a home gym, a garden studio for getting creative, or even to set up your own small business working from home. Create a place of comfort, shelter, peace, and tranquillity.

SPECS SPECS SPECS SPECS SPECS SPECS SPECS SPECS SPECS SPECS

SPECS SPECS SPECS SPECS

0800 181 888 | info@eyggroup.com | www.eygwindows.co.uk

MAKE IT TRULY YOURS

PICK THE WALLS

Choose between three options to customise the internal finish of your Garden Room. Select from easy-to-clean uPVC panelling, Plastered "eco" wall or maintenance-free satin glass panelling.



CLADDING

Customise your Garden Room exterior with 6 cladding options or Scandi Oak vertical panelling.

The colours and finishes have been carefully selected to be able to blend nicely into any setting. Go bold with Anthracite Grey or all natural with Scandi Oak.

All cladding comes with 10-year warranty, giving you the confidence of a long lasting product, both in colour and durability.



VINYL FLOORING

Our glue-down Luxury Vinyl Tile is a flooring material created by combining 100% Virgin PVC plus a plasticising agent, expertly crafted for use in both the home and office environment.

It makes for a super durable and easy to clean surface that will absorb noise and vibrations.

Choose from a wide range of wood and stone effect finishes.



CLOSE IT UP

It's up to you how you'll enter and exit your Garden Room. You can pick from 3 types of doors we provide - French, Bi-Fold & Sliding Patio Doors. Different colours are available.

You can also opt in for a side storage option as an attachment to your new garden retreat, to store your garden equipment.

AND TOP IT OFF

All EYG Garden Rooms come with an extremely long lasting and sustainable EPDM covered roof. Our rubber roofs provide you with protection from all types of harsh weather, while insulating the inside of your retreat.

And, you can opt in for a grass effect roof to blend in with your garden.



FEATURES

MAINTENANCE-FREE COMPOSITE CLADDING

UNIQUE CORNER OR SIDE WINDOW



Ultra durable uPVC frame
For a long-lasting room that's built to last.



Maintenance-free cladding
Choose from a range of six colours.



Optional corner window
Available when paired with French, Sliding, Patio or Bi-folding Doors.

DURABLE LOW MAINTENANCE RUBBER ROOF

CHOICE OF DOOR OPTION STYLES AND COLOURS

11.8m²

2800mm

4200mm



Ultra-secure locks
A multi-point locking system keeps your things safe.

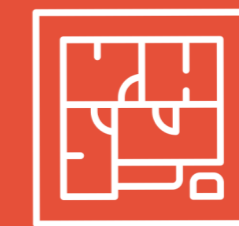


Lasting weatherproof roof
EPDM rubber to withstand any weather.



Electric kit incl. + add-on heater
1100w electric radiator, consumer unit, power sockets, and internal & external lights. Heater as add-on.

SIZE GUIDE



Our garden rooms are designed on 1050mm, 700mm and 350mm internal modules, plus a 300mm canopy. The doors are fixed sizes as per contract & survey.

As a bespoke product, your new garden space size can be customised to your needs.

All measurements are internal. Request a FREE quote and let us take care of the rest.

Here are some examples of possible sizes:

2100 x 2100 3500 x 3500 3500 x 4900

4.4m²

12.2m²

17.1m²